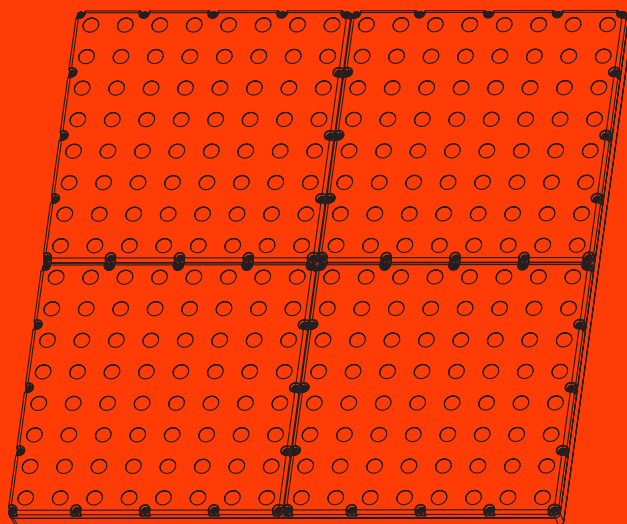


dreampanel

Screen 256



Le parc de l'Événement
1, allée d'Effiat
F91160 - Longjumeau
France



AYRTON
Light in action

Tél.: 33 (0) 1 69 10 33 90
Fax: 33 (0) 1 69 10 33 91
contact@ayrton.eu
www.ayrton.eu

ENGLISH

DREAMPANEL SCREEN 256 - MANUAL UK1

Owner's manual

dreampanel

Screen 256



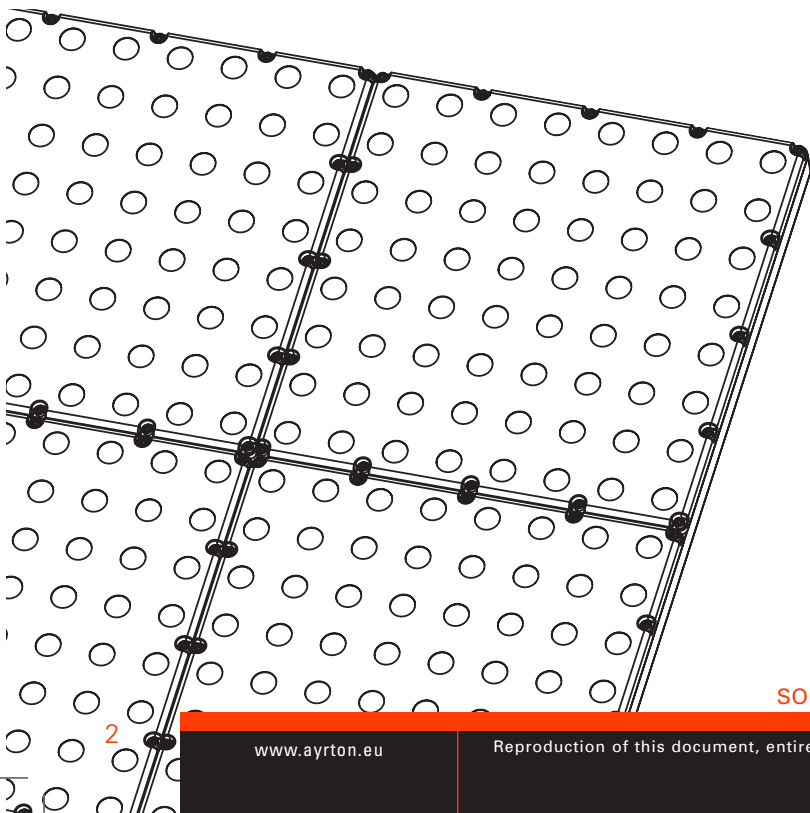
AYRTON

Light in action

SUMMARY

- 01. INTRODUCTION** 03
- 02. SAFETY INSTRUCTIONS** 03
- 03. ENVIRONMENT UTILISATION** 04
- 04. DIMENSIONS** 05
 - 01. DREAMPANEL SCREEN 256 "REGULAR" 05
 - 02. DREAMPANEL SCREEN 256
FITTED WITH "TOURING MOUNTING KIT" 06
- 05. DESCRIPTION** 06
- 06. INSTALLATION** 06
 - 01. GLOBAL SYSTEM INTRODUCTION 06
 - 02. OVERALL DREAMPANEL SYSTEM SCHEME 08
 - 03. CONNECTION 08
 - 04. IMAGE ORIENTATION 08
 - 05. SUSPENDED SCREEN INSTALLATION 09
 - 1. DREAMPANEL SCREEN TOURING MOUNTING KIT 09
 - 2. USE OF DREAMPANEL TOURING MOUNTING KIT 10
 - 3. USEFULL INSTALLATION GUIDELINES 10
 - 4. INSTALLATION PROCEDURE 10
- 07. CONTROL OPERATIONS** 11

- 08. TECHNICAL SPECIFICATIONS** 12
 - 01. OPTICS 12
 - 02. SOURCE 12
 - 03. IMAGE 12
 - 04. COLOURS 12
 - 05. SOFTWARE FACILITIES 12
 - 06. CONTROL 12
 - 07. POWER SUPPLY 12
 - 08. COOLING SYSTEM 12
 - 09. BODY CONSTRUCTION 12
 - 10. APPLICATIONS 12
 - 11. OPERATING PARAMETERS 12
 - 12. CONFORMITY 12
 - 13. DIMENSIONS 12
 - 14. WEIGHT 12
 - 15. PRODUCT CODE 12
 - 16. ACCESSORIES 13
 - 17. CONTROLLERS 13
 - 18. SOFTWARE 13
- 09. SERVICE AND MAINTENANCE** 13
 - 01. DREAMPANEL SCREEN 256 SURFACE CLEANING 13
 - 02. OVERHAUL INSPECTION 13
- 10. SOFTWARE UPGRADE** 13
- 11. WARRANTY** 13



SOMMAIRE



01. INTRODUCTION

Thank you for choosing to purchase the AYRTON DREAMPANEL SCREEN 256.

To install and operate DREAMPANEL SCREEN 256, additional Ayrton accessories are required.

The following accessories are not included with DREAMPANEL SCREEN 256 and must be ordered separately:

- › Ayrton DREAMPANEL PX-32 Distribution Rack.
- › Ayrton DREAMPANEL DV-384 Digital Video Controller.
- › Ayrton DREAMPANEL MANAGER Configuration Software.
- › Ayrton dedicated cable connections (power/signal).
- › Other Ayrton accessories where applicable.

WARNING!

This product is not intended for any domestic installation.

You now own a professional product with many functions and features. Before operating the unit, please make sure that AYRTON DREAMPANEL SCREEN 256 has not suffered any damage during transportation. Should any damage have occurred, please do not use the unit and contact your dealer/retailer immediately.

For your personal and third-party's safety, please read this owner's manual carefully before operating the unit. For any additional information, including latest DREAMPANEL SCREEN 256 software update, please connect to Ayrton's web-site at: www.ayrton.eu.

Persons involved with the installation, utilisation or maintenance of the AYRTON DREAMPANEL SCREEN 256 and accessories, must meet and comply with the following requirements:

- › Be qualified to make this type of installation.
- › Comply with and follow the instructions contained in this manual.

Please read this manual of DREAMPANEL SCREEN 256 throughout thus learning and becoming familiar with the Safety Instructions, Installation and the Use of the DREAMPANEL SCREEN 256.

We recommend you must retain/file this manual for future reference.

All Text/information/scheme/fig. contained in this manual can be modified at any time by Ayrton without giving notice.

Ayrton reserves the right to modify/upgrade any of its products, in any, or all parts, with no duty/responsibility from Ayrton to including these changes in products sold prior to the modification(s).

02. SAFETY INSTRUCTIONS

Before starting the installation/utilisation of DREAMPANEL SCREEN 256, read/learn the safety measures/instructions contained in the manual.

CAUTION!

ELECTRIC-SHOCK RISK
Handle this product with great care,
unit needs high-voltage tension that can generate
risk of electric shock.

Your DREAMPANEL SCREEN 256 has left our production facilities in perfect condition. Should however any fault/defect be detected, do not use it and please contact your dealer/retailer immediately.

The manufacturer will not be held responsible for any damage resulting by the ignorance of the safety instructions, of the installation/mounting; as well for any unauthorised modification(s) of the DREAMPANEL SCREEN 256. Non-complying with safety instructions for installation, installation/mounting and any other unauthorised modification(s) of DREAMPANEL SCREEN 256 and its accessories, will immediately void the warranty.

Please verify that the supplied voltage setting is within the local voltage tolerance required/authorised. Also ensure your electric installation complies with norms in force.

A range of dedicated Power cables to connect/operate DREAMPANEL SCREEN 256 are designed by AYRTON and are available in different lengths. These can be purchased from your Ayrton's Authorised dealer.

Dedicated power-cables are not supplied with DREAMPANEL SCREEN 256 and must be ordered separately. Original AYRTON Dedicated power cables are the only cables that must be used to connect/operate DREAMPANEL SCREEN 256. If non-original power cables are used, AYRTON declines any responsibility, in any form/part, for damage that may occur to the product/third parties etc.

Before connecting Ayrton power-cables to DREAMPANEL/Accessories, ensure that these are integral/undamaged and free from chinks, sharp-edges etc.

With tension, handle power-cable(s) with extreme care/attention. Anytime DREAMPANEL SCREEN 256 is operated/used, check cable grade.

DREAMPANEL SCREEN 256 conforms to class 1 of the security norms; earth connection is essential. Earth connection is also essential when using DREAMPANEL PX-32 Distribution Rack which operates DREAMPANEL SCREEN 256.

Installation and electrical connections must be carried-out by qualified personnel. In the event installation of DREAMPANEL SCREEN 256 is carried-out by unqualified persons, the manufacturer declines any responsibility for consequent damage that might occur to unit/third-party.

01. INTRODUCTION

WARNING!

Never connect/Disconnect DREAMPANEL SCREEN 256 power-cables with tension; before any operation on DREAMPANEL SCREEN 256 or accessories, power must be turned off.

Failing to comply with these indications, you can irreversibly corrupt/damage electronic parts and components.

Power may be turned off directly from mains or through switches off the dedicated DREAMPANEL PX 32 Distribution Rack.

Never disconnect the DREAMPANEL SCREEN 256 by just pulling the power cable! It is important to hold the yellow ring of the connector and unscrew the ring until it enables connection cable to be free (cable not supplied). Then pull gently on the connector to unplug the cable.

Never connect/disconnect power-cable off DREAMPANEL SCREEN 256, with damp/humid hands.

Make sure that neither objects nor liquids are dropped inside the DREAMPANEL SCREEN 256.

When used for the first time, smoke or scent might be emitted from the DREAMPANEL SCREEN 256. This is a harmless chemical process that will fade away after a few minutes of utilisation.

03. ENVIRONMENT UTILISATION

DREAMPANEL SCREEN 256 is a square modular video unit designated for multiple professional applications: (Discothèques, Architectural Lighting, Exhibition-halls, Museum TV Studio Productions Theatres etc.).

DREAMPANEL SCREEN 256 has been designed for indoor and outdoor use.
DREAMPANEL SCREEN 256 is rated IP-65.

Condensation water might form on DREAMPANEL SCREEN 256 in some circumstances:

- › When heat-system is turned-on.
- › Places with high presence of moisture or very humid conditions.
- › When unit is quickly moved from a cold place to a hot/warm place.
Should moisture form inside the unit(s), than it might not operate correctly. In this event wait until the unit(s) has reached room temperature.

Avoid shaking DREAMPANEL SCREEN 256 when handling for installation/operation.

The installation point of DREAMPANEL SCREEN 256 is important. Always make sure that unit is not exposed/installed to heat sources. Keep away from flammable items/surfaces.

Room temperature, where DREAMPANEL SCREEN 256 is installed, must never exceed $T_a = 40^{\circ}\text{Celsius}$.

In some conditions temperature surface of DREAMPANEL SCREEN 256 can rise up to 45°C . Before installing DREAMPANEL SCREEN 256 ensure that installation environment can meet this requirement.

Cooling system process of DREAMPANEL SCREEN is obtained by natural air convection therefore there must be sufficient room to allow air to circulate around the unit. No matter what size is the installation of DREAMPANEL SCREEN 256, a 50 cm room behind the unit must be secured. This precaution will secure free air circulation around the panels.

It is possible to embed DREAMPANEL SCREEN panels as long as a forced ventilation system is installed to flow/circulate air around the panels. For further suggestions and other details we recommend you must contact your AYRTON's Authorized Dealer.

DREAMPANEL SCREEN 256 is designed for video/graphic animations, any other use is not recommended. Should DREAMPANEL SCREEN 256 be used on stationary mode, particularly at 100 % white, this use must not exceed the time of 1 hour. Should this period be extended, a protection-switch will cut the power off. A few minutes are needed to restore DREAMPANEL SCREEN 256 system back to normal operation. You will then have to restart your complete DREAMPANEL system.

DREAMPANEL SCREEN 256 MUST NOT BE USED for floor mount and in general no objects/loads must be placed on the unit(s).

An optional kit-mount adapter is available to allow for AYRTON DREAMPANEL SCREEN 256 to be vertically suspended from the ceiling (or truss). (Code 027 680: DREAMPANEL SCREEN 256 TOURING MOUNTING KIT)
Kit-mount adapter can be used in some circumstances and the following rules must be complied:

When installing one or more DREAMPANEL SCREEN 256 panel use optional dedicated suspension framework. (Code: 027 680 DREAMPANEL SCREEN 256 TOURING MOUNTING KIT); before any installation ensure that hanging-point(s) is totally horizontal, stable, robust to sustain the loads of DREAMPANEL SCREEN 256.

For your reference each DREAMPANEL SCREEN 256 panel weighs 5 kg and its suspension framework weighs 3 kg. Nevertheless hanging point(s) which holds DREAMPANEL SCREEN 256 panels, MUST sustain at least a charge of 32 kg per square meter. When calculating installation load, other accessorie(s) fixing(s) weights such as cables, nuts, bolts etc are to be added.

Never install/mount DREAMPANEL SCREEN 256 on/under/beneath hanging-points susceptible of hard shocks or continuous vibrations generated by sound-system equipment or other fixture nearby installed.

DREAMPANEL SCREEN 256 has not been designed for any horizontal ceiling mount/installation. This kind of use of DREAMPANEL SCREEN 256 is NOT permitted in any form, Ayrtton declines any responsibility for any damage caused to people/third-party/unit for the improper use of the DREAMPANEL SCREEN 256.

03. ENVIRONMENT UTILISATION

Maximum suspended screen size of **DREAMPANEL SCREEN 256**, including all suspension kits (**DREAMPANEL SCREEN 256 TOURING MOUNTING KIT**) is limited to 8 mt of Hight; (i. e 16 suspension kits vertically connected in succession.)

Framework (**DREAMPANEL SCREEN 256 TOURING KIT-MOUNT**) to sustain one/multiple **DREAMPANEL SCREEN 256** panels must be free of any mechanical stress caused/originated by natural/artificial wind/gusts etc. Failing to comply with given indications will void any sales conditions including warranty terms.

Ayrton declines any responsibility for any damage caused to people/third-party/unit for not complying with given indications.

Never project any kind of objects on to **DREAMPANEL SCREEN 256** surface.

When **DREAMPANEL SCREEN 256** remains idle/unused for long terms, we recommend power must be disconnected from **DREAMPANEL PX-32 Distribution Rack**; if possible, also disconnect **AYRTON** dedicated power-cable.

Each **AYRTON DREAMPANEL PX-32 Distribution Rack** allows for a total of 32 **DREAMPANEL SCREEN 256** to be powered over its 4 outputs.

A maximum of 8 **DREAMPANEL SCREEN 256** can be connected in daisy chain on the same output.

NEVER connect more than 8 **DREAMPANEL SCREEN 256** on each output/line!

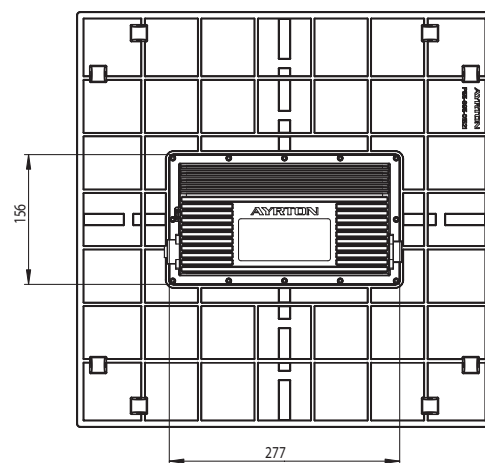
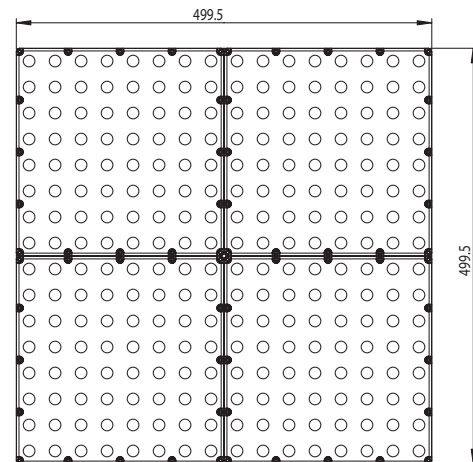
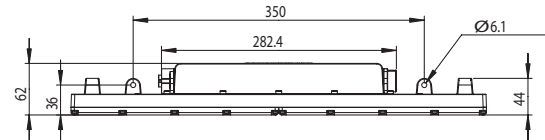
It is also possible (if required by your installation) to connect less than 8 **DREAMPANEL SCREEN 256** on the same output/line.

When **DREAMPANEL SCREEN 256** is to be carried/moved to other locations, original packaging, including spongy protection shells, must be used.

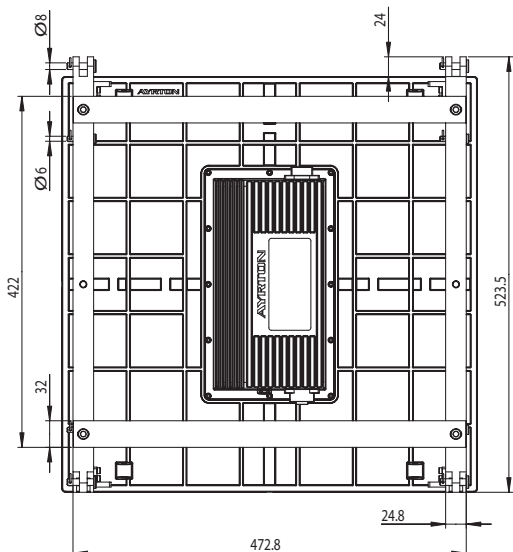
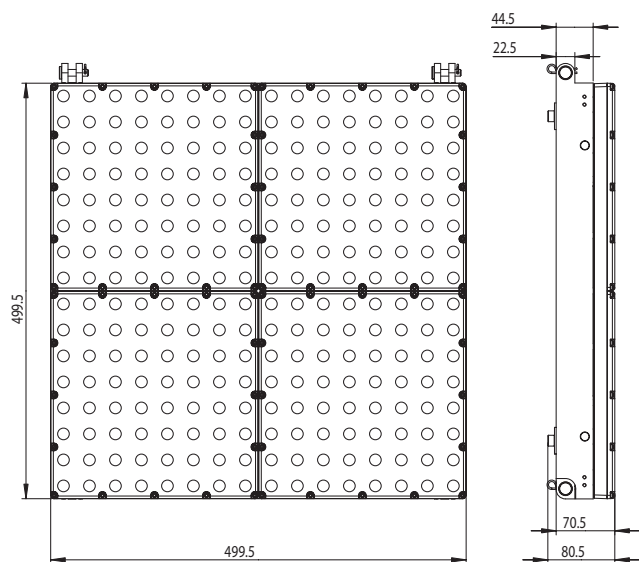
Never dump/trhrow away **DREAMPANEL SCREEN 256** or all units of the **DREAMPANEL** system, units must be recycled. Please consult your local current legislation charter in force relevant to electronic recycling process method.

04. DIMENSIONS

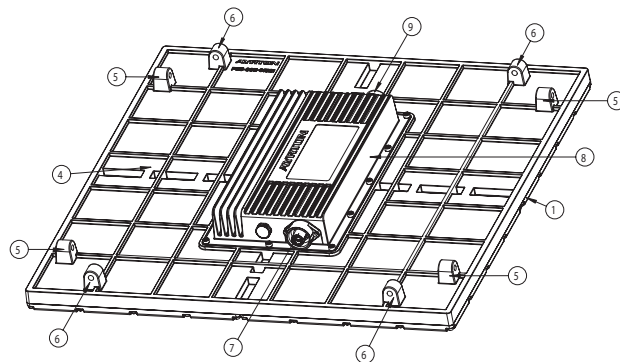
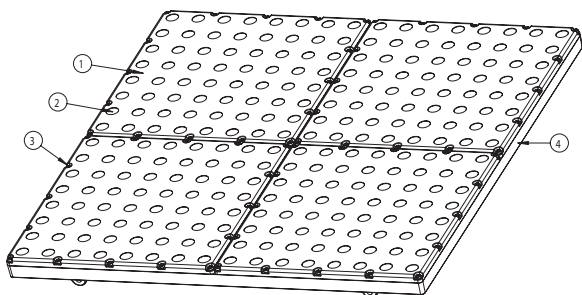
01. DREAMPANEL SCREEN 256 "REGULAR"



**02. DREAMPANEL SCREEN 256
FITTED WITH « TOURING MOUNTING KIT »**



05. DESCRIPTION



1. Front cover
2. Diffusion lens
3. front cover fixing screw (m³ x 10 mm)
4. Chassis
5. Eyelet for suspension framework (optional)
6. Eyelet for wall-mount adaptor (optional)
7. 7-core female multifunction connector output
8. Power supply aluminium cover
9. 7-core multifunction male connector input

06. INSTALLATION

01. GLOBAL SYSTEM INTRODUCTION

DREAMPANEL SCREEN 256 is designed to create screens for graphics and animated video rendering. It is strongly recommended that a certain quantity of **DREAMPANEL SCREEN 256** are used together to create a suitable screen for the images/animations displayed.

DREAMPANEL SCREEN 256 is the visible part of the complete **DREAMPANEL** system. **DREAMPANEL SCREEN 256** can not be used alone and require other **DREAMPANEL** products to operate.

An optional framework is available to suspend **DREAMPANEL SCREEN 256** panels, which can be vertically installed (Code: 027 680 **DREAMPANEL SCREEN 256 TOURING MOUNTING KIT**).

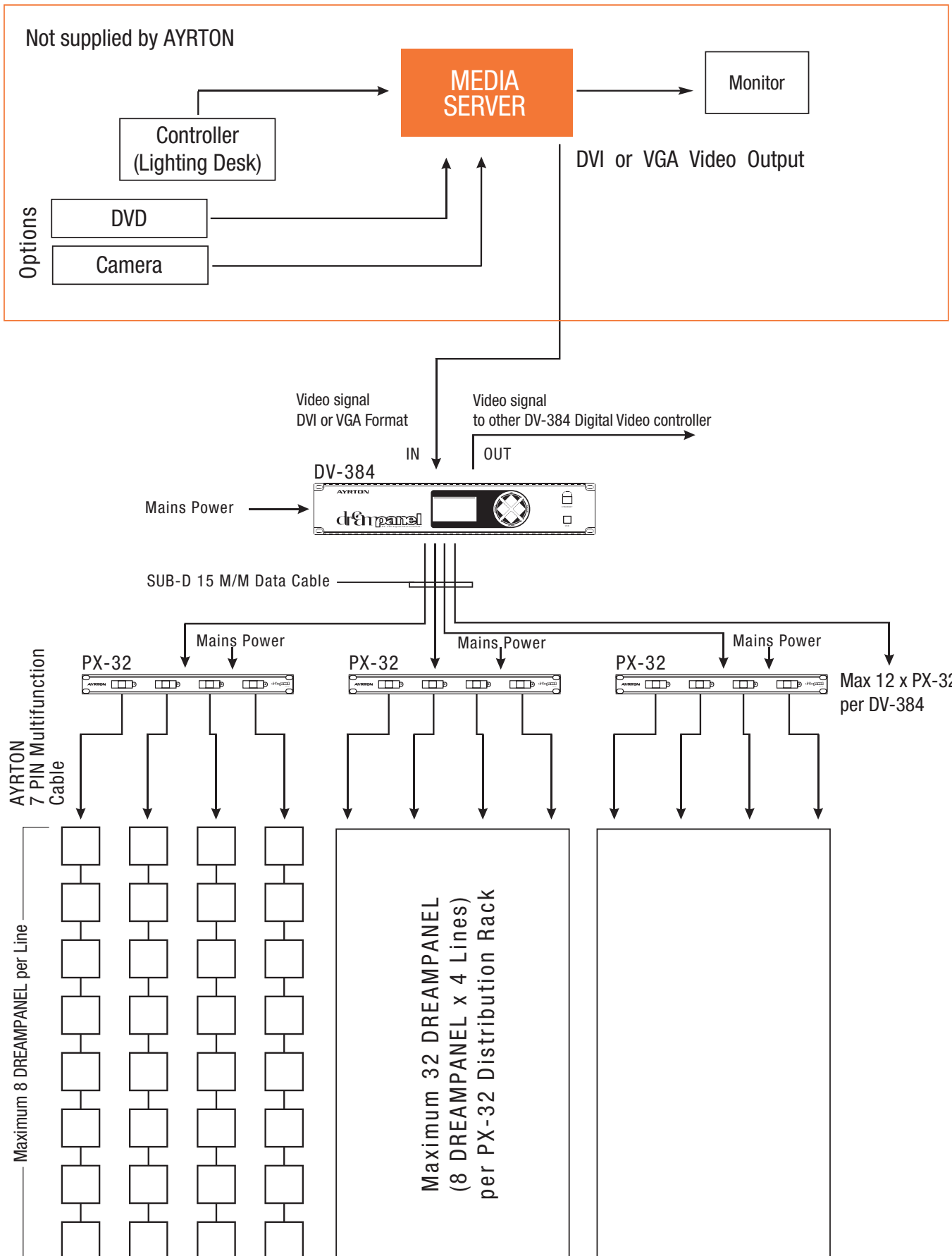
The following accessories are required to install and to operate **DREAMPANEL SCREEN 256**:

- › AYRTON **DREAMPANEL PX-32** Distribution Rack.
- › AYRTON **DREAMPANEL DV-384** Digital Video Controller.
- › AYRTON dedicated connection-cables (power and peripherals).
- › AYRTON **DREAMPANEL MANAGER** Software configuration.
- › Other accessories when applicable and required.

Before starting the installation of **DREAMPANEL SCREEN 256**, look up the **DREAMPANEL DV-384** Digital Video Controller manual, as well as the **DREAMPANEL PX-32** Distribution Rack and **DREAMPANEL MANAGER** Configuration Software manuals.

It is essential to have a perfect knowledge of the complete **DREAMPANEL** system before starting any installation/operation of the **DREAMPANEL SCREEN 256**.

05. DESCRIPTION



06. INSTALLATION

02. OVERALL DREAMPANEL SYSTEM SCHEME

DREAMPANEL SCREEN 256 receives power and signal information from DREAMPANEL PX-32 Distribution Rack; signal information is transmitted to Ayrton PX-32 Power rack from DREAMPANEL DV-384 Digital Video Controller.

DREAMPANEL DV-384 Digital Video Controller receives video information (DVI or VGA format) from a Diffusion Video-System (not supplied by AYRTON).

The DREAMPANEL DV-384 Digital Video Controller transmits this video information to all **DREAMPANEL SCREEN 256** (thru the DREAMPANEL PX-32 Distribution Rack), thus displaying image/animations on the screen.

DREAMPANEL SCREEN 256 setup is made by the AYRTON DREAMPANEL MANAGER Configuration Software.

Before commencing installation of **DREAMPANEL SCREEN 256**, please make sure you have comprehensively learnt and understood the complete DREAMPANEL system.

03. CONNECTION

DREAMPANEL SCREEN 256 panels are successively linked together one after the other i.e. input/ingress & exit/output, to the DREAMPANEL PX-32 Distribution Rack.

The total number of **DREAMPANEL SCREEN 256** linked/installed to the same line is of 8 units. Nevertheless it is possible to connect less units to the same line.

Each **DREAMPANEL SCREEN 256** line (each line counts between 1 to 8 units linked together), consists of a portions of the global screen. On no account horizontal portion of the screen can be regarded as linked lines.

Maximum length of the cable allowed, between DREAMPANEL PX-32 Distribution Rack output and the first **DREAMPANEL SCREEN 256** of the same line, must not exceed 50 Meters.

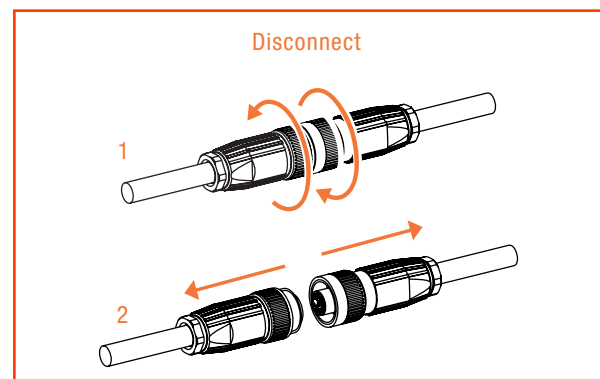
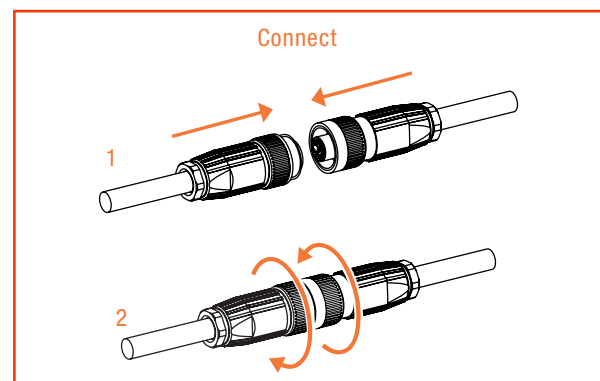
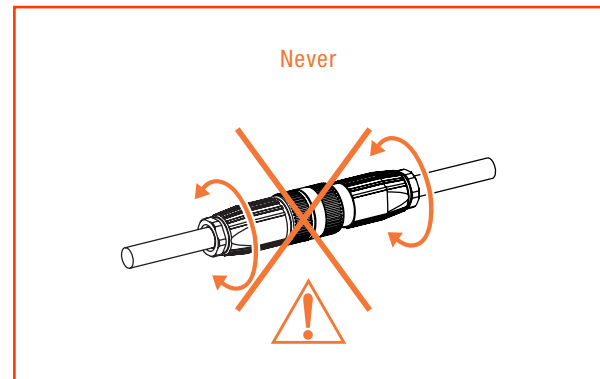
Maximum length of the cable used, between DREAMPANEL PX-32 Distribution Rack output and the last 8 th **DREAMPANEL SCREEN 256** of the same line, must not exceed 80 Meters.

When connecting/disconnecting any of the **DREAMPANEL SCREEN 256** power/connection cable, power must be switched OFF first. Never connect/disconnect power/connection cable of the **DREAMPANEL SCREEN 256** when power is ON. All procedure made not in compliance with these instructions, can irreparably damage the product(s) component(s) which will not be covered by any warranty.

To link two or more **DREAMPANEL SCREEN 256**, i.e. one to another, (max. 8 units per line) the optional AYRTON 0,28 mt dedicated cable is essentially required.

Multifunction connectors mounted on the dedicated Ayrton cables, as well on other **DREAMPANEL SCREEN 256** parts, have locking facility. Locking/unlocking methods are to be learnt to avoid damaging internal wire/core.

Scheme that follows shows how to connect/disconnect correctly these connectors:

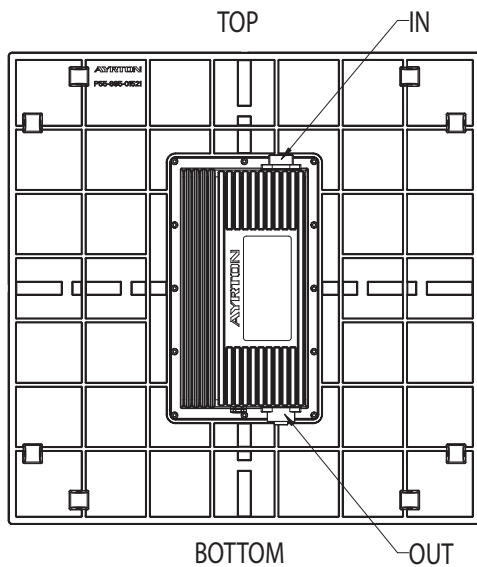


04. IMAGE ORIENTATION

The area of the **DREAMPANEL SCREEN 256** where the INPUT Male multifunction connector is located, corresponds to the TOP area of the picture which will be displayed on this **DREAMPANEL SCREEN 256**.

The area of the **DREAMPANEL SCREEN 256** where the OUTPUT Female multifunction connector is located, corresponds to the BOTTOM area of the picture which will be displayed on this **DREAMPANEL SCREEN 256**.

06. INSTALLATION



05. INSTALLATION OF A SUSPENDED SCREEN

DREAMPANEL SCREEN 256 panel(s) can be suspended to form a screen, to this effect a number of accessories may be required.

To suspend DREAMPANEL SCREEN 256 panel(s) to create a screen, the optional DREAMPANEL SCREEN TOURING MOUNTING KIT must be used (code: 027680 DREAMPANEL SCREEN 256 TOURING MOUNTING KIT).

1. DREAMPANEL SCREEN TOURING MOUNTING KIT

DREAMPANEL SCREEN 256 can be installed on a framework that consists of: 2 aluminium vertical rods, 2 reinforced bars, split pins, safety-pins, nuts and bolts. (Code 027680: DREAMPANEL SCREEN TOURING MOUNTING KIT). This optional kit allows for DREAMPANEL SCREEN 256 installation to be suspended.

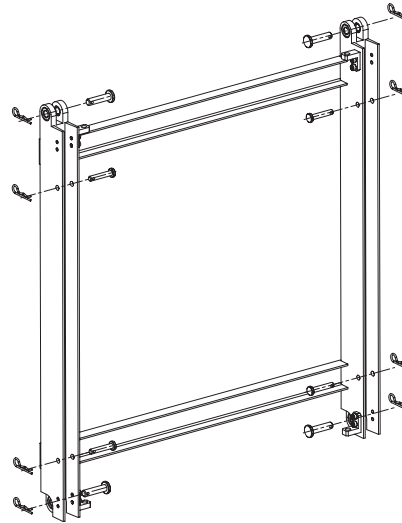
All DREAMPANEL SCREEN 256 equipped with SCREEN TOURING MOUNTING KIT can easily be linked together thus forming vertical chains of units suspended one nearby the other. This method will assist to add as many chain of panel as you need to create a screen of the size required.

Kit break-down consists of the following parts:

- › 1 Left vertical aluminium Rod.
- › 1 Right vertical aluminium Rod.
- › 2 Long horizontal aluminium section bar.
- › 1 Short horizontal aluminium section bar.
- › 2 8-mm diam. split pin/25 mm long.
- › 4 6-mm diam. split pin/25 mm long.

- › 2 6-mm diam. split pin/25 mm long.
- › 8 Safety pin type « BETA ».
- › 5 heues M8 x 20 mm screw.

Schemes illustrate how to assemble the Kit:

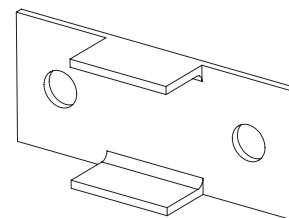


The M8 x 20 mm screws are used bring together both aluminium vertical rods and the reinforced bars to make a suspension framework.

The 8 mm splint pins are used to join one suspension framework to another; splint pins have to be inserted at the very bottom extremity of the vertical aluminium rod.

The 6 mm diameter splint pins are used to secure and hold DREAMPANEL SCREEN 256 in place on the framework. The 6 mm diameter splint pin are to be housed on the side of the vertical rods. Two additional splint pins are used to hold multiple framework aligned together. Safety pins are to be used to secure plint pins once they are inserted in place.

Short horizontal aluminium section bar, as show below, permits to secure various framework together.



Note:

Splint pin must be inserted always from the interior of the suspension framework thus securing it with safety pins (View scheme).

This method is to allow for DREAMPANEL SCREEN 256 to be retrieved from its suspension framework even-though panel(s) is placed in the middle of a screen.

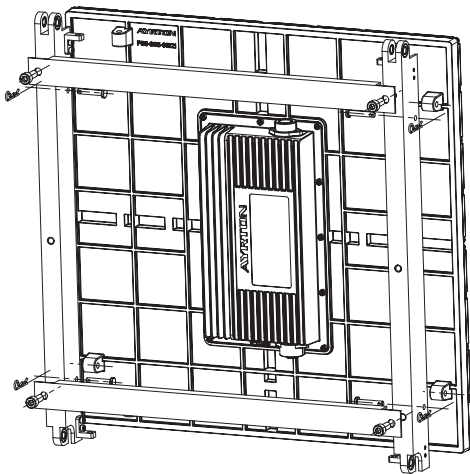
06. INSTALLATION

2. USE OF "DREAMPANEL TOURING MOUNTING KIT"

DREAMPANEL SCREEN 256 is installed on a suspension framework (DREAMPANEL TOURING MOUNTING KIT) by inserting mounting plates into the provided outlet situated in the vertical aluminium Rod of the framework

The 6 mm splint-pins are used to secure **DREAMPANEL SCREEN 256** in place on the framework.

View assembling method :



Warning :

The correct assembling orientation of **DREAMPANEL SCREEN 256** with its suspension framework, must meet the following requirements :

- › Vertical aluminium rods of the framework comprises of 2 mounting rings which must be oriented upwards.
- › Male multifunction connector of **DREAMPANEL SCREEN 256** must be oriented upwards.

3. USEFUL INSTALLATION GUIDELINES

Before suspending screen formed by multiple panels, install **DREAMPANEL SCREEN 256** on framework (DREAMPANEL TOURING MOUNTING KIT).

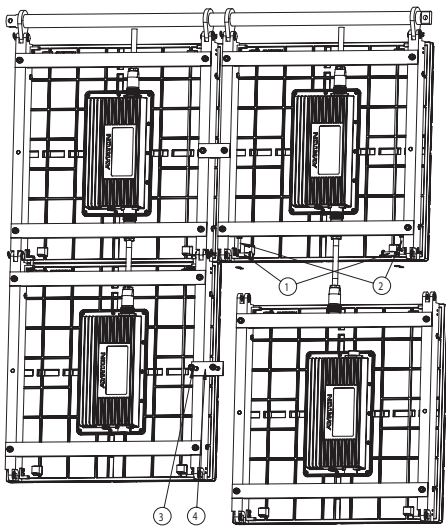
Each **DREAMPANEL SCREEN 256** panel must be fitted with a 0,28 dedicated AYRTON multifunction cable connected to its output; locate the female output connector situated at the bottom side of the panel then connect the relevant cable. (code : 077 203)

This method will ease the in/out cable connections of each **DREAMPANEL SCREEN 256** panel(s). When screen is suspended/installed the output cable-connection access becomes more difficult.

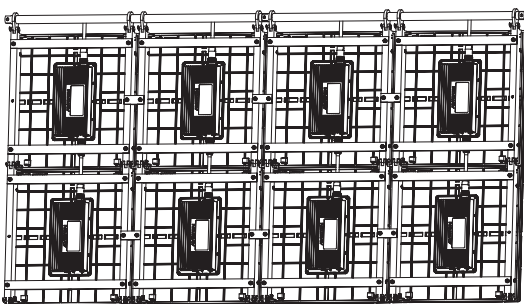
4. INSTALLATION PROCEDURE

- › Calculate size/dimension of the screen to be composed.
- › Assemble as many Mounting Rods as necessary together (027 685/027 686/027 687 : 0,5/1^{er} février MT TUBE FOR TOURING MOUNTING KIT) to fit the size of the screen you want to build using their dedicated accessories. Mounting Rods are available in the following dimensions : 0,5/1^{er} février meters.
- › Ensure that suspension mounting point(s) can easily accept the total load of the screen panel(s) including all necessary accessories i. e, cables nuts & bolts, tri-dimensional metal trusses etc. which these latter could be protruding from the ceiling to sustain the screen-panels. As a reference a **DREAMPANEL SCREEN 256** equipped with its suspension framework kit (DREAMPANEL TOURING MOUNTING KIT), weighs 8,00 kg.
- › Install all Mounting Rods (linked together) necessary on the hanging point(s) and ensure correct distance between one hanging point to another (You can use Safety cable or 50 mm diameter clamp for this). When mounting rods are connected together the maximum distance allowed between 2 hanging points must be within 2 meters; this means that mounting points must be set at the maximum distance of 2 meters one after the other. Example given : a screen which counts for 4 meters long **MUST** have at least 3 hanging points.
- › Place and fix the first horizontal array of **DREAMPANEL SCREEN 256** equipped with their suspension framework (DREAMPANEL TOURING MOUNTING KIT) on the Mounting Rods.
- › Secure the framework system with the provided splint pins and lock with safety pins.
- › Ensure that splint pins are inserted within the suspension framework, this way will ease dismantling of the system.
- › Connect dedicated multifunction cable(s) incoming from **DREAMPANEL PX-32** (Distribution Rack) to the **DREAMPANEL SCREEN 256** input of the first array of panels.
- › Organize all nuts & bolts to assemble short aluminium section bars between suspension framework, this method will secure horizontal mechanical coupling of all suspension frameworks.
- › Replicate the same operations for the next horizontal array of **DREAMPANEL SCREEN 256**, as shown on scheme below :

06. INSTALLATION

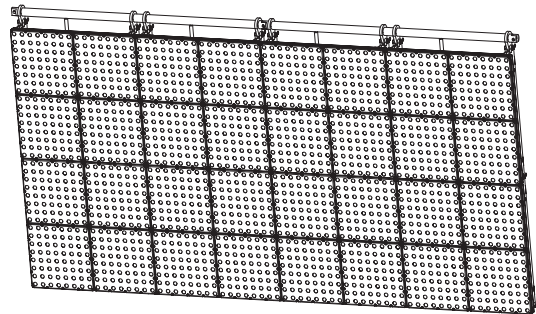


- › Place and secure splint rods (items n° 2 illustrated on scheme below) in the provided housing located on the vertical mounting rods of the framework, to maintain frameworks aligned together.
- › Connect dedicated multifunction cables relevant to the first and second horizontal array of **DREAMPANEL SCREEN 256**. Installation will have to look like the following illustration :



- › Proceed, going downwards, in the same way for all the other array of **DREAMPANEL SCREEN 256** until completion of the required size.
- › **WARNING** : MAXIMUM NUMBER OF ARRAY OF **DREAMPANEL SCREEN 256** IS OF 16 LINES (Maximum height : 8 meters).

The following example shows appearance of a screen formed by using 8 **DREAMPANEL SCREEN 256** panels equivalent to a 2 meter long x 1 meter high.



07. CONTROL OPERATIONS

Screen(s) formed by **DREAMPANEL SCREEN 256** panels, project(s) video animations received from a Digital or Analog video source.

To display video/graphic/animation from a video signal, the following setting/adjustment must be followed :

- › DVI or VGA video signal.
- › Video resolutions 640 x 480 pixels, 800 x 600 pixels or 1024x 768 pixels only.
- › Refresh frequency 60 Hz, 75 Hz or 85 Hz.
- › True colours (3 x 8 bit).

DREAMPANEL SCREEN 256 is operated via **DREAMPANEL DV-384** Digital Video Controller.

Parameter/configuration of **DREAMPANEL SCREEN 256** is arranged/formatted by **AYRTON DREAMPANEL MANAGER** configuration Software.

There are no built-in devices in the **DREAMPANEL SCREEN 256** to control/operate or configure the units.

Consult the following owners ' manuals for **DREAMPANEL SCREEN 256** configuration :

- › **AYRTON DREAMPANEL PX-32** Distribution Rack.
- › **AYRTON DREAMPANEL DV-384** Digital Video Controller.
- › **AYRTON DREAMPANEL MANAGER** configuration Software.

08. TECHNICAL SPECIFICATIONS

01. OPTICS

- › 4 black front panel covers in ABS PC fitted with transparent lenses that permit vision of light sources
- › Viewing Angle: 120°.

02. SOURCE

- › LEDs RGB type PLCC-6.
- › Pixel resolution: 16x16
- › Pixel pitch (mm): 31,25
- › Tile pixel population: 256
- › Pixels population/m²: 1 024
- › Brightness (nits or cd/m²): 1 500
- › Lifetime (50 % brightness): 50 000 Hours

03. IMAGE

- › Maximum resolution: 1 024 x 768 pixels
- › Maximum screen dimension: 32 meters x 24 meters.
- › Maximum screen surface: 768 square meters (m²)
- › Maximum DREAMPANEL SCREEN 256 units per screen: 3 072

04. COLOURS

- › 16,7 millions colours.
- › 8 bit control on each primary colour.
- › Calibration of each pixel (Accurate colour calibration effected during production)

05. SOFTWARE FACILITIES

- › DREAMPANEL SCREEN 256 configuration via AYRTON DREAMPANEL MANAGER configuration Software
- › Input video resolutions selection via DREAMPANEL DV-384 Digital Video Controller
- › DREAMPANEL SCREEN 256 test via DREAMPANEL DV-384 Digital Video Controller
- › DREAMPANEL SCREEN 256 detection via DREAMPANEL DV-384 Digital Video Controller
- › DREAMPANEL SCREEN 256 software version displayed via DREAMPANEL DV-384 Digital Video Controller
- › Software upgrade via DREAMPANEL DV-384 Digital Video Controller
- › DREAMPANEL DV-384 Digital Video Controller input via DVI or VGA facility
- › DREAMPANEL System fully compatible with all media systems (media-server) with Image size scale-downed (scaling mode) and image rotation capabilities

06. CONTROL

- › 7-core IN/OUT multifunction connectors

07. POWER SUPPLY

- › AC 90 to 250 Volts – 50/60 Hz.
- › Power consumption: 80 Watts
- › Power via 7-core IN/OUT multifunction connector
- › DREAMPANEL SCREEN 256 output connector to link up to 8 units on the same line

08. COOLING SYSTEM

- › Natural air-flow

09. BODY CONSTRUCTION

- › Fire retardant & Self-extinguish V0 class ABS PC body
- › Fire retardant & Self-extinguish V0 class ABS PC Front covers
- › IP 65 protection rating
- › Exterior finish: black

10. APPLICATIONS

Suspended-mount

- › DREAMPANEL SCREEN 256 can be suspended in vertical position, using metal/aluminium trusses etc. which must sustain the weight of the whole system (DREAMPANEL SCREEN 256 and all necessary accessories to sustain and run the units)
- › The optional suspension framework must be used when DREAMPANEL SCREEN 256 is to be installed. (code 027 680: DREAMPANEL SCREEN 256 TOURING MOUNTING KIT)
- › 4 rings are integrated on DREAMPANEL SCREEN 256 panel to fix them to the optional suspension framework
- › An optional suspension rod, available in 3 sizes, (codes 027 685/027 686/027 687: 0,5/1^{er} février MT TUBE FOR TOURING MOUNTING KIT) must be used to install the suspension framework
- › Maximum height of the screen formed with DREAMPANEL SCREEN 256 is of 8 meters or 16 frames vertically linked together
- › Suspension framework cannot stand any draft of wind or any other artificial gust that may swing the panel

11. OPERATING PARAMETERS

- › Working position: vertical
- › Maximum ambient temperature (Ta): 40 °C (104 °F)
- › Maximum ambient humidity: 75 % when 25 °C; 50 % when 40 °C

12. CONFORMITY

- › UE (CEM): EN50081-1, EN 5082-1.
- › UE (Electrical safety): EN60598-1, EN60598-2-17.

13. DIMENSIONS

- › Width: 499,5 x 499,5 mm.
- › Thickness: 62 mm.

14. WEIGHT

- › DREAMPANEL SCREEN 256: 5 kg.
- › DREAMPANEL SCREEN 256. TOURING MOUNTING KIT: 3 kg.
- › DREAMPANEL SCREEN 256. + TOURING MOUNTING KIT: 8 kg.

15. PRODUCT CODE

- › 027 630: DREAMPANEL SCREEN 256.

08. TECHNICAL SPECIFICATIONS

16. ACCESSORIES

- › 027680: DREAMPANEL SCREEN 256 TOURING MOUNTING KIT.
- › 027685: 0,5 MT TUBE FOR TOURING MOUNTING KIT.
- › 027686: 1 MT TUBE FOR TOURING MOUNTING KIT.
- › 027687: 2 MT TUBE FOR TOURING MOUNTING KIT.
- › 076515: 1,5 MT M/M. DVI CABLE.
- › 076715: 1,5 MT M/M. SUB-D 15 DATA CABLE.
- › 077203: 0,28 MT M/F 7-CORE HD-MULTIFUNCTION CABLE.
- › 077207: 0,70 MT M/F 7-CORE HD-MULTIFUNCTION CABLE.
- › 077210: 1 MT M/F 7-CORE HD-MULTIFUNCTION CABLE.
- › 077220: 2 MT M/F 7-CORE HD-MULTIFUNCTION CABLE.
- › 077250: 5 MT M/F 7-CORE HD-MULTIFUNCTION CABLE.
- › 077260: 10 MT M/F 7-CORE HD-MULTIFUNCTION CABLE.
- › 027270: 25 MT M/F 7-CORE HD-MULTIFUNCTION CABLE.
- › 027280: 50 MT M/F 7-CORE HD-MULTIFUNCTION CABLE.

17. CONTROLLERS

- › 027820: DREAMPANEL DV-384 DIGITAL VIDEO CONTROLLER.
- › 027840: DREAMPANEL PX-32 DISTRIBUTION RACK.

18. SOFTWARE

- › 027880: DREAMPANEL MANAGER– Configuration Software.

09. SERVICE AND MAINTENANCE

Service & maintenance of **DREAMPANEL SCREEN 256** must be carried-out by authorized and qualified personnel only. **DREAMPANEL SCREEN 256** must be regularly serviced and maintained; nevertheless service/maintenance frequency depends mostly on the use of the units and of the environment.

WARNING!

When servicing/maintaining/cleaning DREAMPANEL SCREEN 256, Power must be completely turned off from Mains.

01. DREAMPANEL SCREEN 256 SURFACE CLEANING

When cleaning **DREAMPANEL SCREEN 256** surface, use light-damp cloth.
 Glass detergent can also be used with damp cloth provided that detergent does not contain silicon or aggressive substances nor any other chemical that can damage the panel.

NEVER wash **DREAMPANEL SCREEN 256** using water high pressure machines.

02. OVERHAUL INSPECTION

DREAMPANEL SCREEN 256 installation(s) must be regularly inspected by qualified team(s). Yearly overhaul inspection(s) must be carried-out by qualified personnel; the following points are to be inspected/checked:

- › Mechanical components must not show any sign of wear and tear, inconsistency etc, from original shape.
- › Electric cables (any type) must be integral with no sign of wear and tear, chinks or other kind of damage that can endanger people/system safety.
- › Framework to suspend/hold **DREAMPANEL SCREEN 256** must not show any sign of deformation/twist/warp, weak points or other flaws that may endanger people/system safety.
- › When **DREAMPANEL SCREEN 256** is wall-mounted, any metal or other material, device, etc must be in perfect conditions and must not show any sign of corrosions or other inconsistency that may endanger people and system safety

10. SOFTWARE UPGRADE

DREAMPANEL SCREEN 256 has been designed to receive software upgrade and there is no need of dismantling the installation nor the panel.

To this effect the whole system, including controllers, must be in operation.

Upgrade process is achieved via the AYRTON DREAMPANEL MANAGER Configuration Software, using any PC with USB/Ethernet facility.

For further information relevant to **DREAMPANEL SCREEN 256** software upgrade, consult following AYRTON owners' manuals:

- › AYRTON DREAMPANEL DV-384 Digital Video Controller.
- › AYRTON DREAMPANEL MANAGER Configuration Software.

Code access is required to retrieve the necessary information; authorized personnel only will have access to this procedure.
 Please contact your AYRTON Dealer to attain latest **DREAMPANEL SCREEN 256** software upgrade

11. WARRANTY

Product flaw/defect from fabrication, is covered by a one year warranty as of the purchase's date of **DREAMPANEL SCREEN 256**.

Warranty does not cover the wears and tears of the product, and all damage caused by improper use of the units as specified in this manual.

Any modification made to the original product will immediately void the warranty. Ayrton declines any responsibility/liability for any **DREAMPANEL SCREEN 256** installation made by the installer.

09. SERVICE AND MAINTENANCE